

Series MBA Motorized Bells by Kidde

FEATURES

- Agency approvals include: UL, ULC, FM, CSFM, NYMEA
- 6-inch and 10-inch shell sizes, 24 Vdc models
- Mounting options for surface, semi-flush, outdoor, and concealed conduit installation
- Red smooth finish to improve appearance and durability

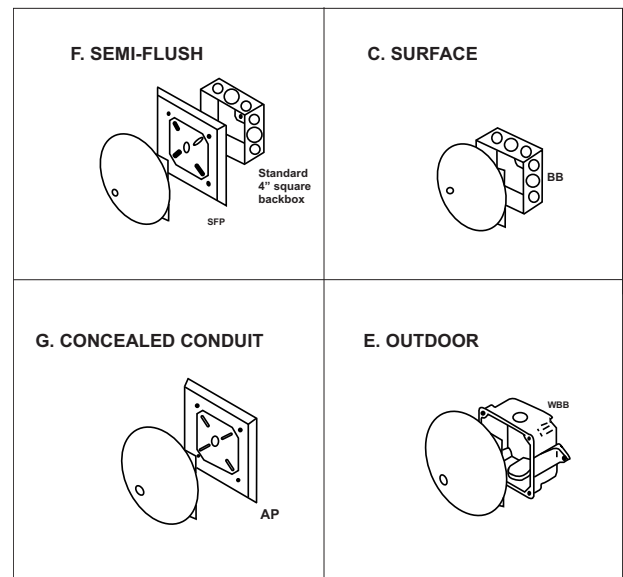
DESCRIPTION

Potter[®] manufactured Motor Bells provide a superior engineered notification product for fire and life safety alarm systems. The motorized bells are designed for public mode signaling in accordance with NFPA 72. The bells produce a long and continuous higher dBA ringing sound at low current draw; low frequency shells for better audibility, low RFI noise and high torque. A permanent magnet motor is incorporated for durable, reliable performance.

MOUNTING

The unit mounts on a standard 4-in. (101 mm) square electrical backbox for indoor applications. Other mount-

ing options are provided in the Mounting Options table below.



Model Number	Part Number	Mounting Options
SFP-R	75-000000-005	F
BB-R	75-000000-006	C
AP-R	75-000000-007	G
WBB-R	75-000000-008	E

ORDERING INFORMATION

Part Number	Input Voltage	Shell Size	Max. RMS Operating Current (mArms)				Min. Sound Output (dBA at 10 ft. per UL464)	Min. Sound Output (dBA at 10 ft. per ULC-S525)
			Regulated 12 Vdc (per UL464)	Regulated 12 VFWR (per UL464)	Regulated 12 Vdc (per ULC-S525)	Regulated 12 VFWR (per ULC-S525)		
MBA-6-24	24 Vdc	6 in. (150 mm)	13.5	24.5	17.0	30.0	75.6 at 8Vdc	95.0 at 8Vdc
MBA-10-24	24 Vdc	10 in. (250 mm)	34.0	46.0	34.0	46.0	79.1 at 8Vdc	92.0 at 8Vdc

Notes:

1. Minimum dB ratings are calculated from integrated sound pressure measurements made at Underwriters Laboratories as specified in UL Standard 464 and ULC-S525. Due to changes in UL Standard 464 and ULC-S525, all minimum dBA ratings are calculated at minimum operating voltage. Typical operating dBA will be higher. UL temperature range is -40 to 150°F (-40 to 66°C).
2. Typical dB ratings are calculated from measurements made with a conventional sound level meter and are indicative of output levels in an actual installation.

Kidde is a registered trademark of Kidde-Fenwal Inc.
Potter is a registered trademark of Potter Electric Signal Company, LLC

This literature is provided for informational purposes only. KIDDE-FENWAL, INC. assumes no responsibility for the product's suitability for a particular application. The product must be properly applied to work correctly.
If you need more information on this product, or if you have a particular problem or question, contact KIDDE-FENWAL, INC., Ashland, MA 01721. Telephone: (508) 881-2000.

Kidde Fire Systems
UTC Climate | Controls | Security
400 Main Street
Ashland, MA 01721
Ph: 508.881.2000
Fax: 508.881.8920
www.kiddefiresystems.com
