

Model 878752 Suppression System Abort Station



Effective: November 2014
K-84-10

FEATURES

- UL Listed
- Flush or Surface Mount
- One Normally Open Contact
- Sized for Double Gang Box
- Large Yellow Push Button Switch
- Abort Station Becomes Addressable SLC Device with installation of one (1) Model AI Addressable Monitor Module, N.O.

DESCRIPTION

The Kidde® Model 878752 Abort Station features a large, easy-to-operate abort push button. The momentary type switch is very easy to see due to its highly visible yellow color. The abort station stainless steel faceplate is clearly labeled with operation procedures—eliminating indecision and hesitation.

The Backbox is painted with red enamel and is provided with four 1/2-inch knockouts. The pre-drilled and tapped mounting tabs allow for easy attachment of the abort station.

To make the Abort Station an addressable SLC device for use with Kidde Intelligent control units, one SmartOne® Model AI monitor module (purchased separately) must be installed into the backbox. The Model AI monitor module is seated inside a bracket (included) and easily installs with two mounting screws.

A cULus-listed Abort Station for Canadian applications that require compliance to ULC S527-11 (3rd edition) is also available (blue faceplate with white raised lettering). Order P/N 84-878752-110.

TECHNICAL SPECIFICATIONS

Electrical Ratings: One normally open momentary contact, rated 2.5 Amps @ 120 Vdc

Ambient Temperature: -13°F to 158°F (-25°C to 70°C)

Terminals: Captive screws and saddle clamps accept 14 AWG to 24 AWG wire

Mounting: Four 6-32 x 1/2-inch mounting screws included

ORDERING INFORMATION

Part Number	Description	Shipping Weight
84-878752-010	Abort Station	2 lb. (0.9 kg)
06-236881-001	Backbox, Red	1 lb. (0.45 kg)
70-407008-001	Model AI Addressable Monitor Module, N.O. (includes bracket)	5 oz. (145 g)

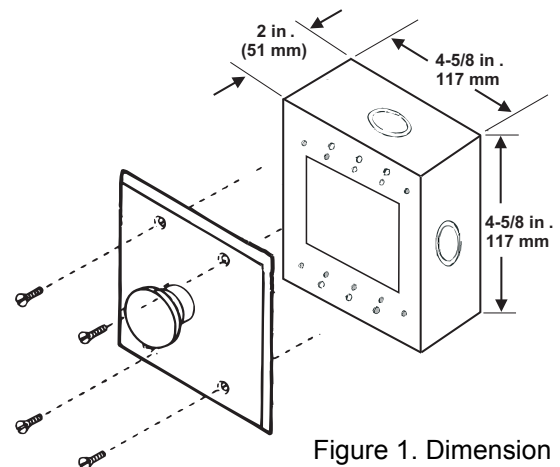
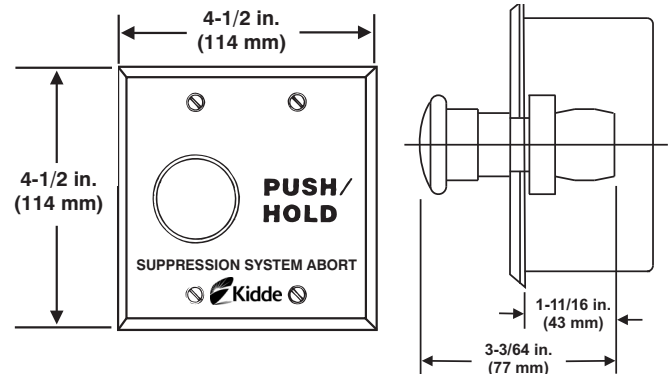


Figure 1. Dimension Details

This literature is provided for informational purposes only. KIDDE-FENWAL, INC. assumes no responsibility for the product's suitability for a particular application. The product must be properly applied to work correctly. If you need more information on this product, or if you have a particular problem or question, contact KIDDE-FENWAL, INC., Ashland, MA 01721. Telephone: (508) 881-2000.

Kidde Fire Systems
400 Main Street
Ashland, MA 01721
Ph: 508.881.2000
Fax: 508.881.8920
www.kiddefiresystems.com