

Kidde Fire Systems

Component Description

Electric Control Head Kit with Control Head Monitor



Effective: April 2021
K-85-3001 Rev AE

FEATURES

- UL Listed, ULC Listed, and FM Approved for use with systems listed below in the Table, "COMPATIBILITY", on page 2.

P/N: 85-890181-000

ORDER INFORMATION

Part Number	Description
85-890181-000	Kit, Includes: <ul style="list-style-type: none"> • Electrical Control Head, 24 VDC, P/N WK-890181-000 • Control Head Monitor, P/N 85-100000-100 (for more information, see data sheet K-85-3000)

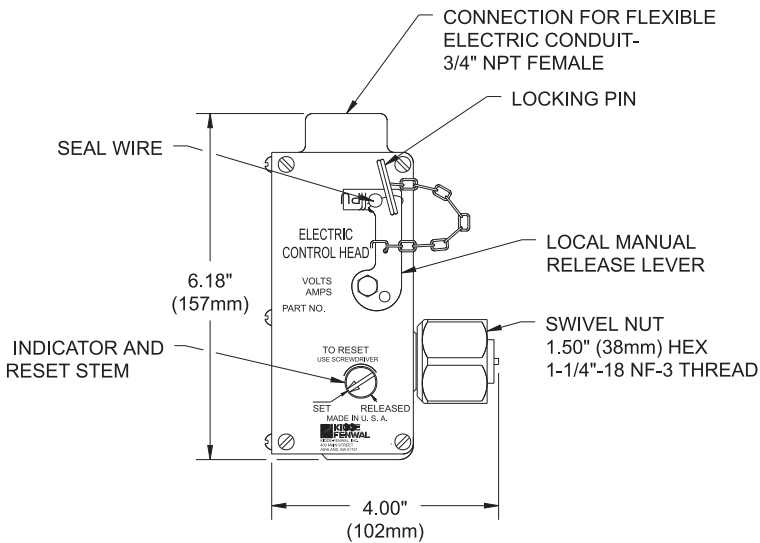


Figure 1. Electric Control Head

MATERIAL

Body: Brass

SPECIFICATIONS

Voltage: 24 VDC

Current: 2.0A

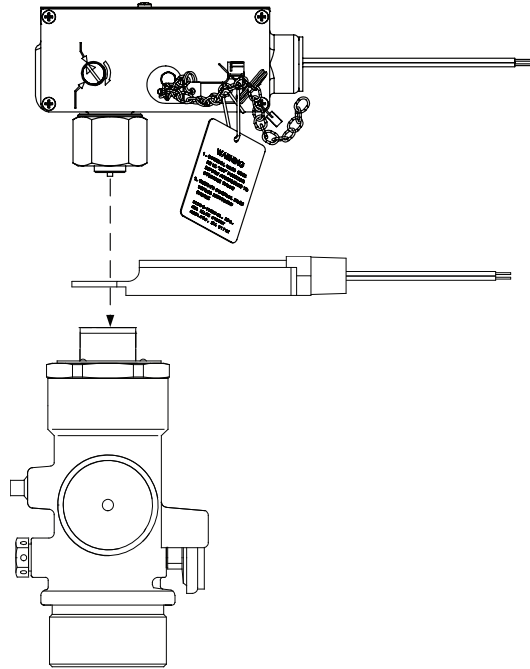


Figure 2. Electric Control Head and Control Head Monitor

COMPATIBILITY

Series	DIOM P/N	Supplement P/N	Approval
ECS-500™ System	06-237585-001	N/A	UL, ULC, FM
ECS™ 360 with 3M™ Novec™ 1230 Fire Protection Fluid	06-236553-001	N/A	UL, ULC, FM
ADS™ with 3M™ Novec™ 1230 Fire Protection Fluid	06-237256-001	N/A	UL, ULC, FM
ECS™ 360 with HFC-227ea Agent	06-236115-001	06-236115-003	UL, ULC, FM
Modular ECS™ 360 with HFC-227ea Agent	06-236116-001	06-236116-002	UL, ULC, FM
ADS™ with HFC-227ea Agent	06-236068-001	06-236068-003	UL, ULC, FM
FE-13™ Engineered Suppression System	06-236169-002	06-236169-003	UL
FE-13™ Modular Engineered Suppression System	06-236193-001	06-236193-002	UL
Natura™ Inert Gas System (for use on N2 Pilot Cylinders used with discharge delay)	06-237619-001	N/A	UL, FM
ECS™ 360 3M™Novec™ 1230 (India)	06-237127-600	06-237127-601	UL, ULC, FM
ECS™ 360 with FM-200™ (India)	06-237298-001	06-237298-002	UL, ULC, FM

Note: Agency listings also apply the Fenwal Engineered Fire Suppression Systems, when the Control Head Monitor is used on these legacy product lines.

EXPORT INFORMATION (USA)

Jurisdiction: EAR

Classification: EAR99

This document contains technical data subject to the EAR.

All trademarks are property of their respective owners.

This literature is provided for informational purposes only. KIDDE-FENWAL, INC. believes this data to be accurate, but it is published and presented without any guarantee or warranty whatsoever. KIDDE-FENWAL, INC. assumes no responsibility for the product's suitability for a particular application. Product features specified are only applicable when the fire suppression system is correctly designed, installed, maintained and serviced by trained, authorized Kidde Fire Systems distributors as per the applicable design, installation, operation, and maintenance manuals. If you need more information on this product, or if you have a particular problem or question, contact: KIDDE-FENWAL, INC., Ashland, MA 01721 USA, Telephone: (508) 881-2000.