

Kidde ECS Fire Suppression System Component Description



Effective: October 2014

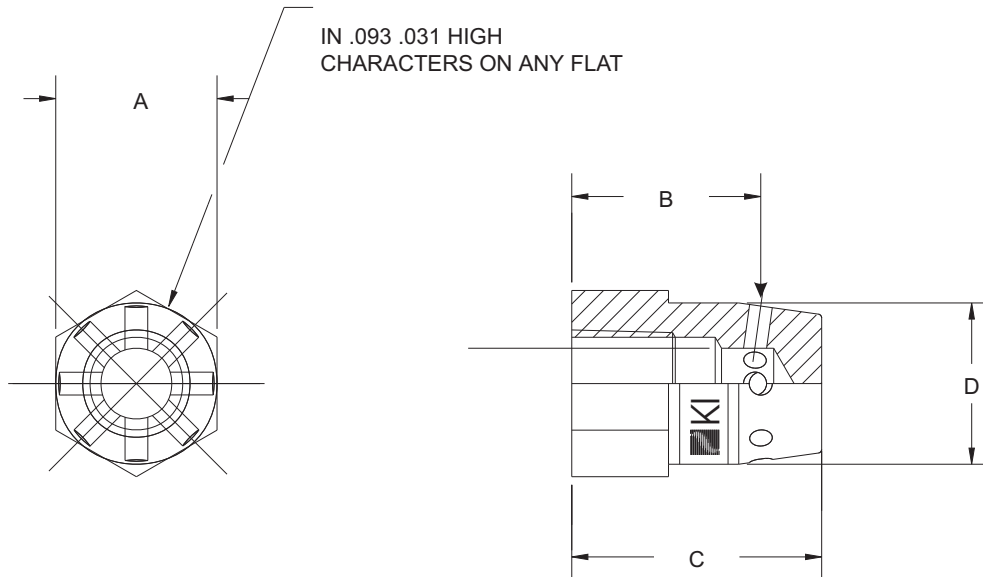
K-90-2140 Rev BA

360 Degree Pendant Nozzle

FEATURES

- For Use with UL, ULC and FM Approved Systems
- See Kidde Manual 06-236225-001 for USCG Approval
- RoHS Compliant

P/N: 90-19402X-XXX



Pipe Size	A	B	C	D
1/2" (12.20 mm)	1.250" (31.75mm)	1.468" (37.28mm)	1.937" (49.19mm)	1.250" (31.75mm)
3/4" (19.05 mm)	1.500" (38.10 mm)	1.578" (40.08 mm)	2.125" (53.97 mm)	1.500" (38.10 mm)
1" (25.40 mm)	1.750" (44.45 mm)	1.718" (43.63 mm)	2.375" (60.32 mm)	1.750" (44.45 mm)
1-1/4" (31.75 mm)	2.250" (57.15 mm)	1.950" (49.53 mm)	2.750" (69.85 mm)	2.250" (57.15 mm)
1-1/2" (38.10 mm)	2.250" (63.50 mm)	2.000" (50.80 mm)	2.937" (74.59 mm)	2.250" (63.50 mm)
2" (50.80 mm)	3.000" (76.20 mm)	2.062" (52.37 mm)	3.125" (79.37 mm)	3.000" (76.20 mm)

Note: A selection of orifices are available for each nozzle size. Consult your Kidde design and installation manual for details.

COMPATIBILITY

Series	For Use With
Kidde ECS HFC-227ea	X

This literature is provided for informational purposes only. KIDDE-FENWAL, INC. assumes no responsibility for the product's suitability for a particular application. The product must be properly applied to work correctly. If you need more information on this product, or if you have a particular problem or question, contact KIDDE-FENWAL, Inc.

Kidde is a registered trademark of Kidde-Fenwal Inc. All other trademarks are the property of their respective owners.