

Kidde ECS Fire Suppression System Component Description



Effective: June 2014

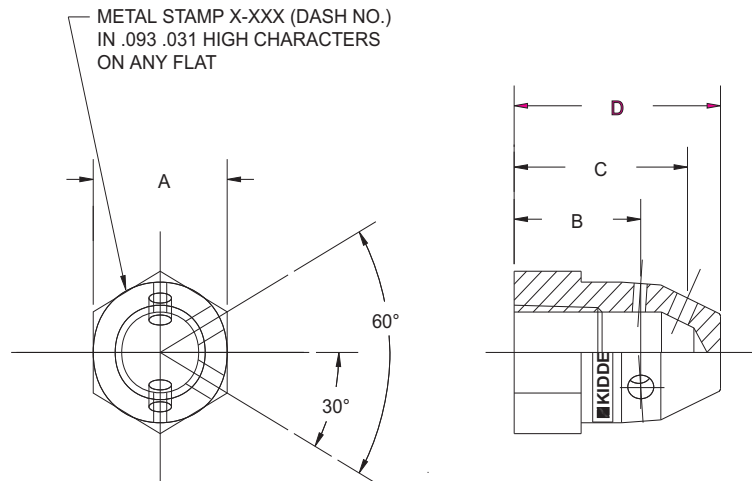
K-81-9150 Rev BA

180 Degree Pendant Nozzle

FEATURES

- For Use with UL Listed, ULC Listed & FMRC Approved Systems
- RoHS Compliant

P/N: 90-19401X-XXX



Pipe Size	A	B	C	D
1/2" (12.20 mm)	1.25" (31.75 mm)	1.250" (31.75 mm)	1.687" (42.84 mm)	2.000" (50.80 mm)
3/4" (19.05 mm)	1.50" (38.10 mm)	1.375" (34.92 mm)	1.950" (48.89 mm)	2.296" (58.31 mm)
1" (25.40 mm)	1.75" (44.45 mm)	1.562" (39.67 mm)	2.218" (56.33 mm)	2.671" (67.84 mm)
1 1/4" (31.75 mm)	2.25" (57.15 mm)	1.750" (44.45 mm)	2.656" (67.46 mm)	3.250" (82.55 mm)
1 1/2" (38.10 mm)	2.50" (63.50 mm)	1.950" (48.89 mm)	2.950" (74.93 mm)	3.625" (92.07 mm)
2" (50.80 mm)	3.00" (76.2 mm)	1.968" (49.98 mm)	2.875" (73.02 mm)	3.656" (92.86 mm)

Note: A selection of orifices are available for each nozzle size. Consult your Kidde Design and Installation Manual for details.

COMPATIBILITY

Series	For Use With
Kidde ECS HFC-227ea	X

This literature is provided for informational purposes only. KIDDE-FENWAL, INC. assumes no responsibility for the product's suitability for a particular application. The product must be properly applied to work correctly. If you need more information on this product, or if you have a particular problem or question, contact KIDDE-FENWAL, Inc.

Kidde is a registered trademark of Kidde-Fenwal Inc. All other trademarks are the property of their respective owners.